

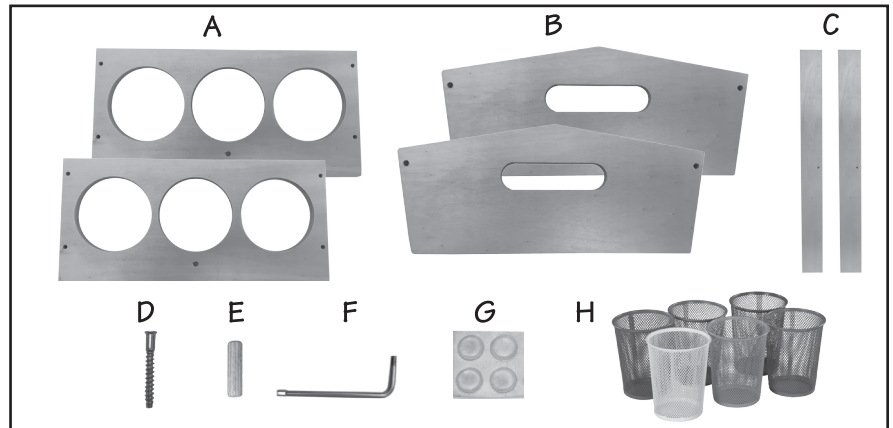
Mobile Storage Rack Accessories Large Cup Storage Assembly Instructions

Congratulations on your purchase of this **Mobile Storage Rack Accessories Large Cup Storage**.
(Adult assembly required.)

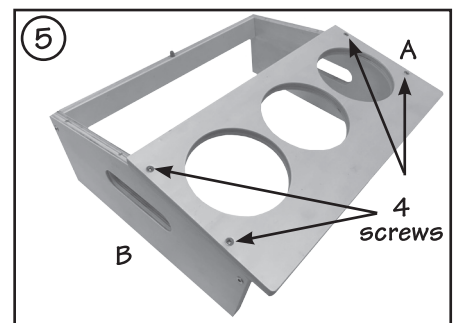
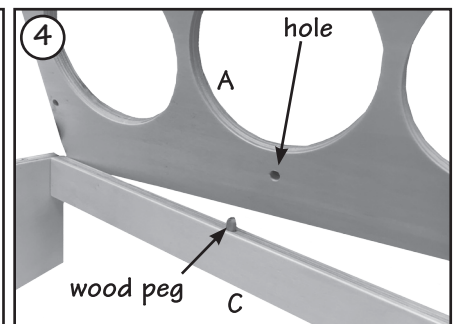
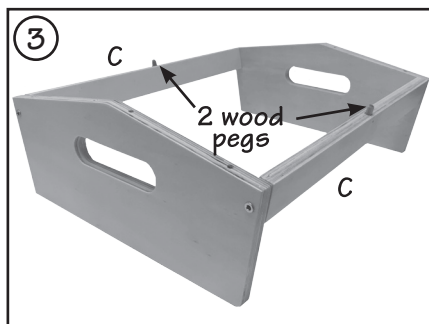
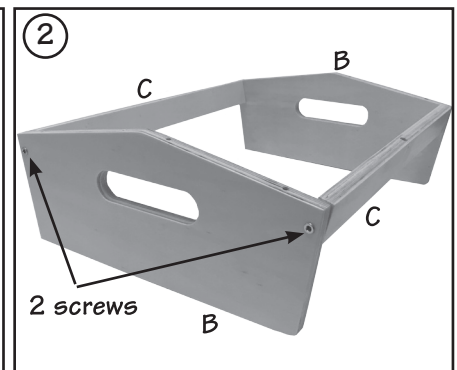
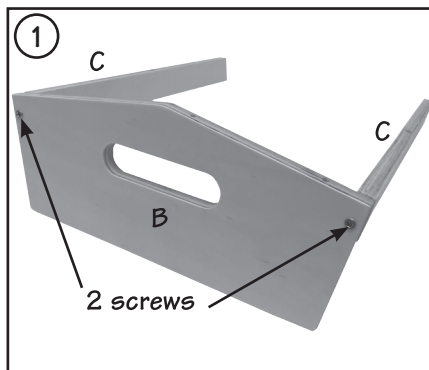
This **Really Good Stuff®** product includes:

- A - 2 Top panels
- B - 2 Side panels
- C - 2 Support rails
- D - 12 Screws
- E - 2 Wood pegs
- F - Assembly tool
- G - 4 Rubber feet
- H - 6 Large cups

You may also have received a spare part of each piece of hardware.



- ① Attach the support rails **C** to a side panel **B** with two screws **D**.
- ② Flip the unit around to attach the other side panel **B** to the 2 support rails **C** with 2 screws **D**.
- ③ Insert 2 wood pegs **E** into the holes on the top of the support rails **C**.
- ④ Locate a top panel **A** and line up the hole on the inside of the top panel with the wood peg on the support rail.
- ⑤ Secure the top panel **A** to the 2 side panels **B** with 4 screws **D**. Repeat for the other top panel **A**. Attach the rubber feet **G** to the bottom of the side panels **B** if desired, and place cups in the top holes.



All instructional guides can be found online.